

REMS eva

Teileverzeichnis

Aktueller Stand
siehe www.rems.de

Spare parts list

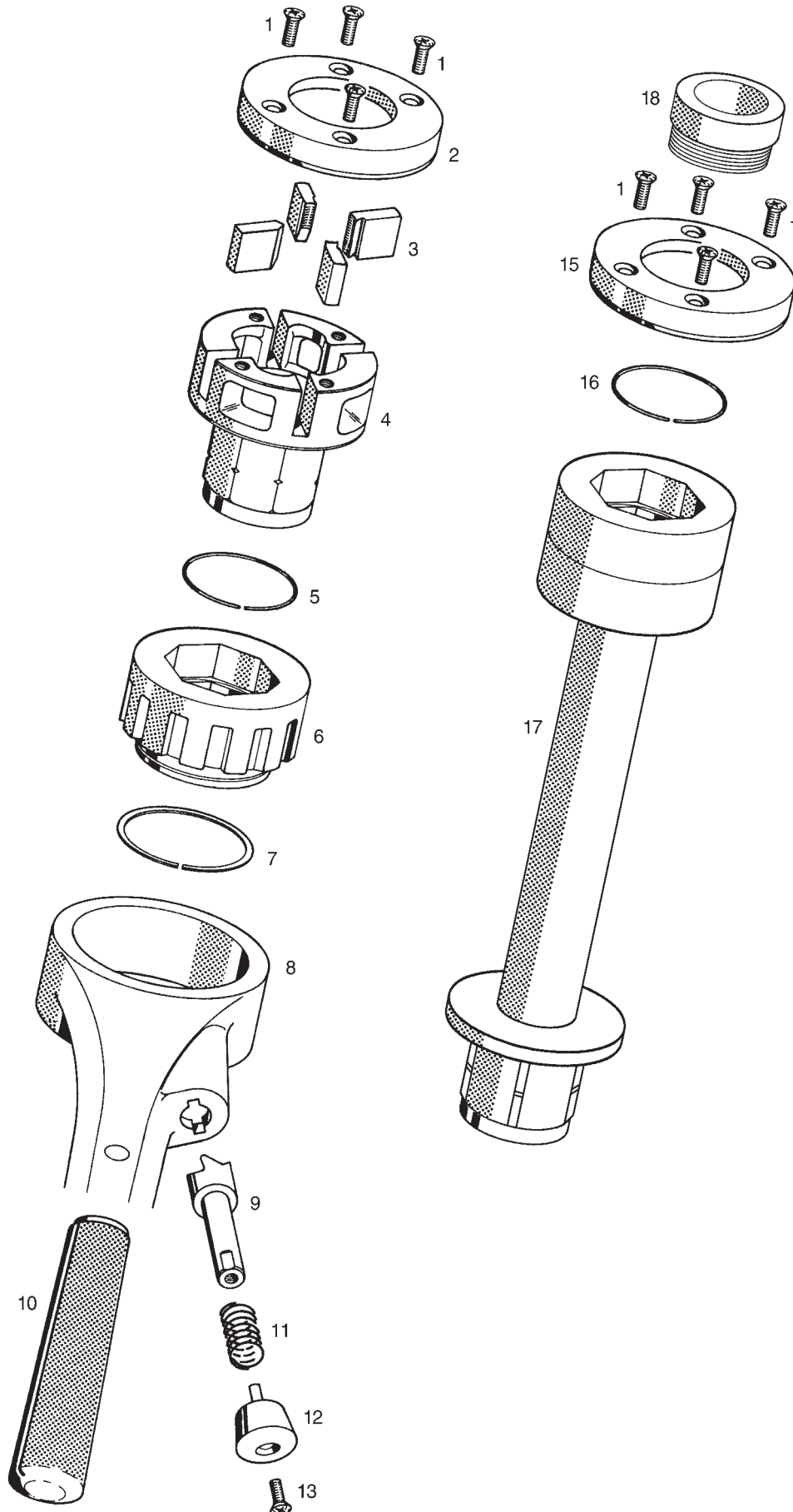
Latest version
see www.rems.de

Liste des pièces

Situation actuelle
voir www.rems.de

Elenco dei pezzi

Ultimo aggiornamento
vedi www.rems.de



REMS eva

	deu	eng	fra	ita	
1	Senkschraube 1/8" – 3/4" M 16 – 25	Socket screw 1/8" – 3/4" M 16 – 25	Vis à tête bombée fraisée 1/8" – 3/4" M 16 – 25	Vite a testa svasata con calotta 1/8" – 3/4" M 16 – 25	083176
1	Senkschraube 1" – 2" M 32 – 50	Socket screw 1" – 2" M 32 – 50	Vis à tête bombée fraisée 1" – 2" M 32 – 50	Vite a testa svasata con calotta 1" – 2" M 32 – 50	083168
2	Deckel R 1/8" R 1/4" R 3/8" R 1/2" R 3/4" R 1" R 1 1/4" R 1 1/2" R 2" NPT 1/8" NPT 1/4" NPT 3/8" NPT 1/2" NPT 3/4" NPT 1" NPT 1 1/4" NPT 1 1/2" NPT 2" M 16 x 1,5 M 20 x 1,5 M 25 x 1,5 M 32 x 1,5 M 40 x 1,5 M 50 x 1,5	Cover R 1/8" R 1/4" R 3/8" R 1/2" R 3/4" R 1" R 1 1/4" R 1 1/2" R 2" NPT 1/8" NPT 1/4" NPT 3/8" NPT 1/2" NPT 3/4" NPT 1" NPT 1 1/4" NPT 1 1/2" NPT 2" M 16 x 1,5 M 20 x 1,5 M 25 x 1,5 M 32 x 1,5 M 40 x 1,5 M 50 x 1,5	Couvercle R 1/8" R 1/4" R 3/8" R 1/2" R 3/4" R 1" R 1 1/4" R 1 1/2" R 2" NPT 1/8" NPT 1/4" NPT 3/8" NPT 1/2" NPT 3/4" NPT 1" NPT 1 1/4" NPT 1 1/2" NPT 2" M 16 x 1,5 M 20 x 1,5 M 25 x 1,5 M 32 x 1,5 M 40 x 1,5 M 50 x 1,5	Coperchio R 1/8" R 1/4" R 3/8" R 1/2" R 3/4" R 1" R 1 1/4" R 1 1/2" R 2" NPT 1/8" NPT 1/4" NPT 3/8" NPT 1/2" NPT 3/4" NPT 1" NPT 1 1/4" NPT 1 1/2" NPT 2" M 16 x 1,5 M 20 x 1,5 M 25 x 1,5 M 32 x 1,5 M 40 x 1,5 M 50 x 1,5	521003R 521013R 521023R 521033R 521043R 521053R 521063R 521073R 521083R 521203R 521213R 521223 521233 521243 521253 521263 521273 521283 521303R 521313R 521323R 521333R 521343R 521353R
3	Schneidbacken siehe Preisliste	Threading dies see price list	Peignes voir liste de prix	Cuscinetti di filiera vedi listino prezzi	
4	Schneidkopfkörper 1/8" 1/4" 3/8" 1/2" 3/4" 1" 1 1/4" 1 1/2" 2" M 16 x 1,5 M 20 x 1,5 M 25 x 1,5 M 32 x 1,5 M 40 x 1,5 M 50 x 1,5	Die head corpus 1/8" 1/4" 3/8" 1/2" 3/4" 1" 1 1/4" 1 1/2" 2" M 16 x 1,5 M 20 x 1,5 M 25 x 1,5 M 32 x 1,5 M 40 x 1,5 M 50 x 1,5	Corps de filière 1/8" 1/4" 3/8" 1/2" 3/4" 1" 1 1/4" 1 1/2" 2" M 16 x 1,5 M 20 x 1,5 M 25 x 1,5 M 32 x 1,5 M 40 x 1,5 M 50 x 1,5	Corpo filiera 1/8" 1/4" 3/8" 1/2" 3/4" 1" 1 1/4" 1 1/2" 2" M 16 x 1,5 M 20 x 1,5 M 25 x 1,5 M 32 x 1,5 M 40 x 1,5 M 50 x 1,5	521001 521011R 521021R 521031R 521041R 521051R 521061R 521071R 521081R 521301 521311 521321 521331 521341 521351
–	Ratschenhebel 1/8" – 2" Pos. 5 – 13	Ratchet lever 1/8" – 2" Pos. 5 – 13	Levier à cliquet 1/8" – 2" Pos. 5 – 13	Leva a cricco 1/8" – 2" Pos. 5 – 13	522000
–	Rastring kompl. Pos. 5 und 6	Stop ring compl. Pos. 5 and 6	Bague d'encliquetage compl. Pos. 5 et 6	Anello d'arresto compl. Pos. 5 e 6	522005R
–	Rastbolzen kompl. Pos. 9, 11 – 13	Stop bolt compl. Pos. 9, 11 – 13	Boulon d'encliquetage compl. Pos. 9, 11 – 13	Perno d'arresto compl. Pos. 9, 11 – 13	522014
5	Ringfeder Standard	Annular spring standard	Ressort annulaire standard	Molla anulare standard	532006
7	Sicherungsring	Retaining ring	Circlip	Anello di sicurezza	522018
10	Griff	Handle	Poignée	Manico	522007
11	Druckfeder	Pressure spring	Ressort de compression	Molla di compressione	522010
12	Knopf	Knob	Bouton	Pomello	522012
13	Senkschraube	Socket screw	Vis à tête bombée fraisée	Vite a testa svasata con calotta	083176
15	Deckel Schneidkopf S R 3/8" R 1/2" R 3/4" R 1" R 1 1/4"	Cover die head S R 3/8" R 1/2" R 3/4" R 1" R 1 1/4"	Couvercle filière S R 3/8" R 1/2" R 3/4" R 1" R 1 1/4"	Coperchio filiera S R 3/8" R 1/2" R 3/4" R 1" R 1 1/4"	521028R 521038R 521048R 521058R 521068
16	Ringfeder	Annular spring	Ressort annulaire	Molla anulare	522057
17	Verlängerung	Extension	Rallonge	Prolunga	522051
18	Führungsbuchse eva R 3/8" R 1/2" R 3/4" R 1" R 1 1/4"	Guiding bush eva R 3/8" R 1/2" R 3/4" R 1" R 1 1/4"	Douille de guidage eva R 3/8" R 1/2" R 3/4" R 1" R 1 1/4"	Boccola guida eva R 3/8" R 1/2" R 3/4" R 1" R 1 1/4"	521027 521037 521047 521057 521067